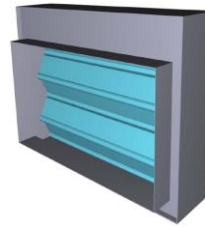
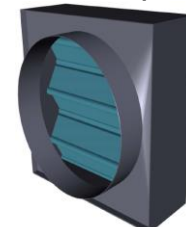


MODEL 53C(CR,CO)VD • C TYPES

- UL 555 & CAN/ULC-S112 Classified Dynamic Fire Damper, 3 Hr. Label (File # R25565).
- NFPA 80, 90A & 101 compliant.
- NBC and IBC building codes compliant.



TYPE C



TYPE CR



TYPE CO

STANDARD CONSTRUCTION

DEPTH: 4 1/4" (108).

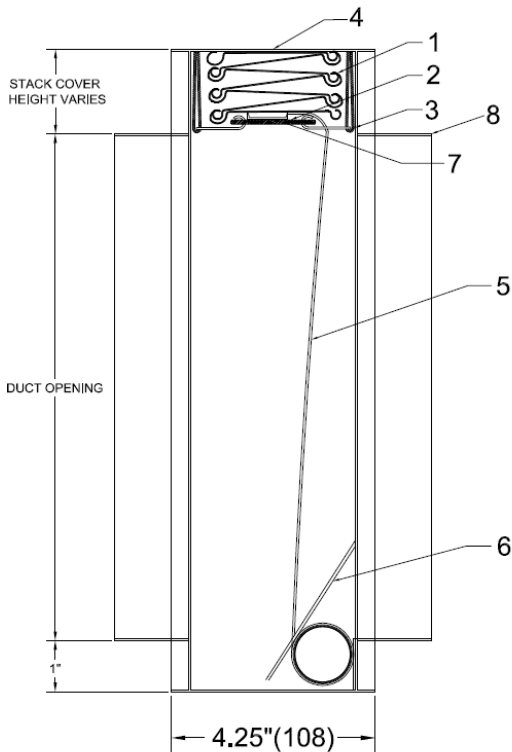
FRAME: Roll formed 20 Ga. galvanized steel with hemmed edge.

BLADE: Roll formed 22 Ga. galvanized steel.
Interlocking curtain type blade.

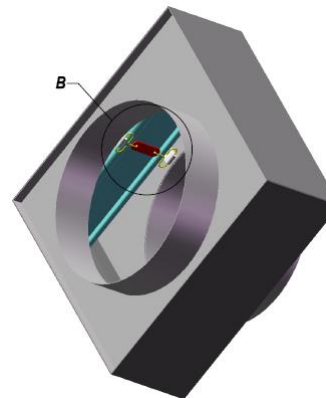
FUSIBLE LINK: 165°F (74 C).

OPTIONAL CONSTRUCTION

- Factory supplied Sleeve (**Required for all multiple section sizes;** collars will be fastened to sleeve ends).
- 212°F (100 C) Fusible Link.
- 1 1/2" x 1 1/2" Retaining Angles.



MODEL 53CVD
(VERTICAL MOUNT)



DETAIL B

DYNAMIC CLOSURE RATINGS:

- 2000 fpm (10.2 m/s) on all sizes.
- 5000 fpm (25.4 m/s) with size limitations (contact factory).
- 4" w.g. (1kPa) maximum pressure on all sizes.

MAINTENANCE RECOMMENDATIONS:

NFPA 80 advises that fire dampers be inspected and tested 1 year after installation, then every 4 years minimum (6 years for hospitals). More frequent inspections may be required due to system use and air conditions, or applicable local codes.

NOTES:

These dynamic dampers are UL/ULC approved for use in HVAC systems where the fans remain on in the event of a fire. 3 hr. labeled fire dampers are suitable for use in fire separations with a fire resistance rating of 4 hours or less.

Fire dampers must be installed in accordance with manufacturer's instructions. Refer to Alumavent installation instructions for details.

FIRE DAMPER COMPONENTS

- | | |
|--------------------------|---------------------------|
| 1. Blade | 5. Constant Force Spring |
| 2. Fusible Link Assembly | 6. Lock Ramp |
| 3. Link Strap | 7. Blade Stiffener |
| 4. Frame | 8. Duct Connection Collar |

Dimensions are shown in inches (mm).

TYPE C (SQUARE/RECTANGULAR COLLAR)

Min. Size: 4" x 4" (102 x 102).

Max. Size: Single Section

Vertical mount : 22" x 20" (559 x 508).

Multiple Section (See *NOTE below)

Vertical mount : 70" x 43" (1778 x 1092),

46" x 68" (1168 x 1727) or 94" x 20"

(2388 x 508).

Contact factory for horizontal mount.

TYPE CR (ROUND COLLAR)

Min. Size: 4" (102) diameter.

Max. Size: Single Section

Vertical mount: 20" (508) diameter.

Multiple Section (See *NOTE below)

Vertical mount: 43" (1092) diameter.

Contact factory for horizontal mount.

TYPE CO (OVAL COLLAR)

Min. Size: 5" x 4" (127 x 102) oval.

Max. Size: Single Section

Vertical mount: 22" x 20" (559 x 508) oval.

Multiple Section (See *NOTE below)

Vertical mount: 70" x 43" (1778 x 1992),

46" x 68" (1168 x 1727) or 94" x 20" (2388 x 508)

oval.

Contact factory for horizontal mount.

***NOTE: All multiple section sizes require a factory sleeve. Collars will be fastened to sleeve ends.**

SEE 3 HOUR DYNAMIC TYPE C SIZING CHART SC53CD FOR OVERALL DAMPER DIMENSIONS.

REF. #	QTY.	DUCT SIZE Ø / WxH	MOUNT (V only)	ACCESSORIES
			V	
			V	
			V	
			V	
			V	
			V	
			V	

PROJECT NAME:		ENGINEER:	
CONTRACTOR:		SUBMITTAL DATE:	